

SYSTEM DESCRIPTION

Showertec Linear is a range of linear channels, 100% made in Italy, for floor-level, barrier-free showers. The channel is made of three elements: **Body** (raceway body), **Cover** (removable and adjustable grids), and **Frame** (optional). This feature boosts aesthetic combinations, as Cover and Frame are two separate elements, which can be combined. To complete the system, you'll find 2% pre-sloped shower trays range **Tray**, available in several sizes. Ready to be tiled.

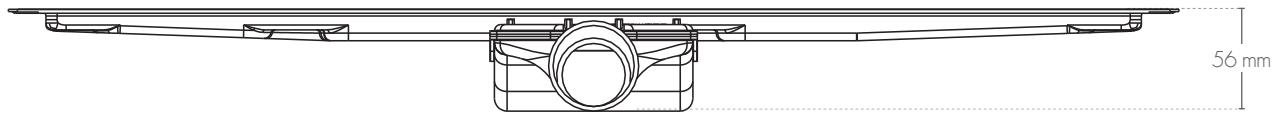
SHOWERTEC LINEAR - STL-BL/STL-BS

PRODUCT DESCRIPTION

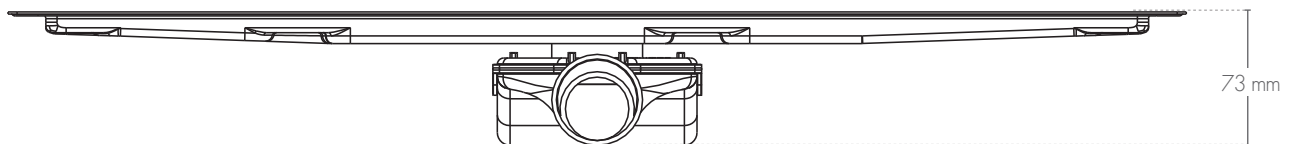


The channel bodies **STL-BL/STL-BS** are two models of horizontal drain channels made in **AISI 316 stainless steel**, in the low height version **STL-BL (low)** and in the standard height version **STL-BS (standard)**. They are supplied with **pre-applied Foiltec membrane**, to guarantee perfect waterproofing. The bottom of the channel presents support inlets for the cover's feet: their position is conceived to increase the resistance to the Cover's loads without reducing the system's outflow capacity. A **special filter for hair** is positioned above the drain to prevent annoying clogging. Horizontal drain channels include a **polypropylene siphon** and **EPS support blocks**.

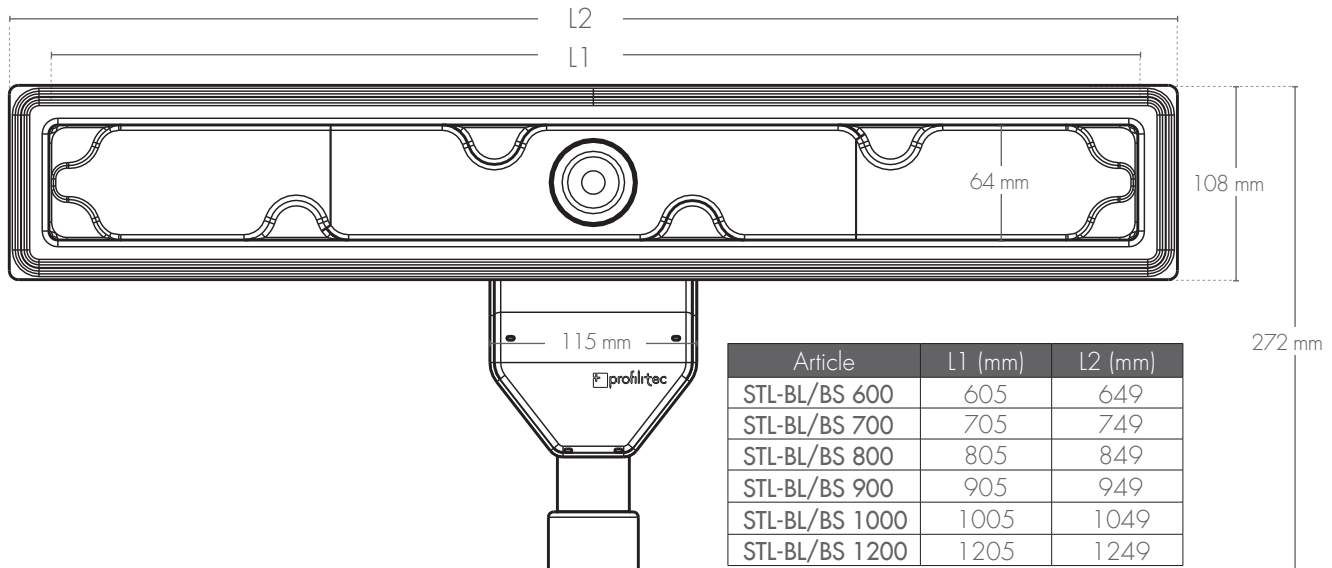
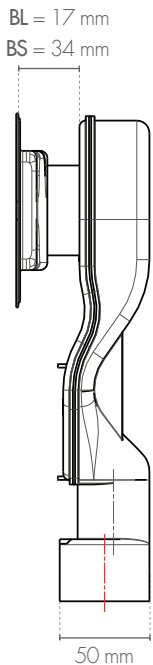
TECHNICAL DRAWINGS STL-BL/STL-BS



STL-BL, horizontal drain channel low



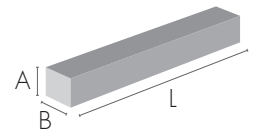
STL-BS, horizontal drain channel standard



STL-BL / STL-BS CODE

| Article | Length (mm) | Description | pc ■ | Packaging AxBxL (mm) |
|-------------|-------------|-------------------------------------|------|----------------------|
| STL-BL 600 | 600 | low height horizontal drain channel | 1 pc | 135x135x800 |
| STL-BL 700 | 700 | low height horizontal drain channel | 1 pc | 135x135x800 |
| STL-BL 800 | 800 | low height horizontal drain channel | 1 pc | 135x135x1100 |
| STL-BL 900 | 900 | low height horizontal drain channel | 1 pc | 135x135x1100 |
| STL-BL 1000 | 1000 | low height horizontal drain channel | 1 pc | 135x135x1100 |
| STL-BL 1200 | 1200 | low height horizontal drain channel | 1 pc | 135x135x1300 |

| Article | Length (mm) | Description | pc ■ | Packaging AxBxL (mm) |
|-------------|-------------|--|------|----------------------|
| STL-BS 600 | 600 | standard height horizontal drain channel | 1 pc | 135x135x800 |
| STL-BS 700 | 700 | standard height horizontal drain channel | 1 pc | 135x135x800 |
| STL-BS 800 | 800 | standard height horizontal drain channel | 1 pc | 135x135x1100 |
| STL-BS 900 | 900 | standard height horizontal drain channel | 1 pc | 135x135x1100 |
| STL-BS 1000 | 1000 | standard height horizontal drain channel | 1 pc | 135x135x1100 |
| STL-BS 1200 | 1200 | standard height horizontal drain channel | 1 pc | 135x135x1300 |



TECHNICAL FEATURES

- Flow 0.6 l/s or 36 l/m (0.16 gal/s or 9.5 gal/m) according to standard EN1253
- Channel with pre attached membrane Foiltec certified DIN18534 with perm rate < 0,5
- Channel bottom with 2% average slope

CHANNEL BODY FEATURES AND ADVANTAGES

| | | |
|--|---|--|
|  <p>The channels are made in AISI 316 stainless steel, suitable for environments requiring high-performance materials.</p> |  <p>The pre-glued Foiltec membrane guarantees perfect waterproofing of the system.</p> |  <p>Removable hair filter to prevent clogging caused by hair or debris.</p> |
|  <p>Metal support: installation support recommended for low thickness tiles</p> |  <p>Adaptable siphon: siphon suitable for hydraulic connections with nominal diameter 50 and nominal diameter 40.</p> |  <p>Pipe cleaner supplied for an easy cleaning and maintenance of the siphon</p> |

ACCESSORIES

GRIDS, FRAMES and TRAYS

COVER

- Tileable grid
- Invisible grid
- 16 finishes



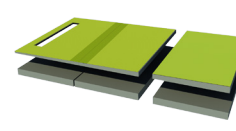
FRAME

- Flush with the wall frame
- 13 finishes in Steel and Alu+



TRAY

- Sloped trays
- Extensions
- Risers
- Ramp



Profilitec S.p.A.
Via Scotte, 3 - 36033 Isola Vicentina (Vicenza), ITALY
Tel: +39 0444 268311
e-mail: profilitec@profilitec.com (ITA)

Profilitec Corp.
472 Meeting Street, Suite C, No. 301 -
Charleston, SC 29403, USA
Ph: +1 855 290 9591
e-mail: customerservice@profilitec.com