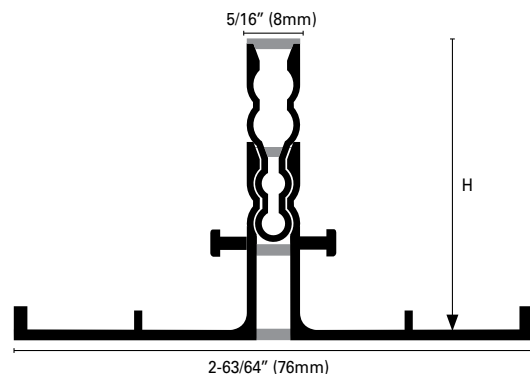


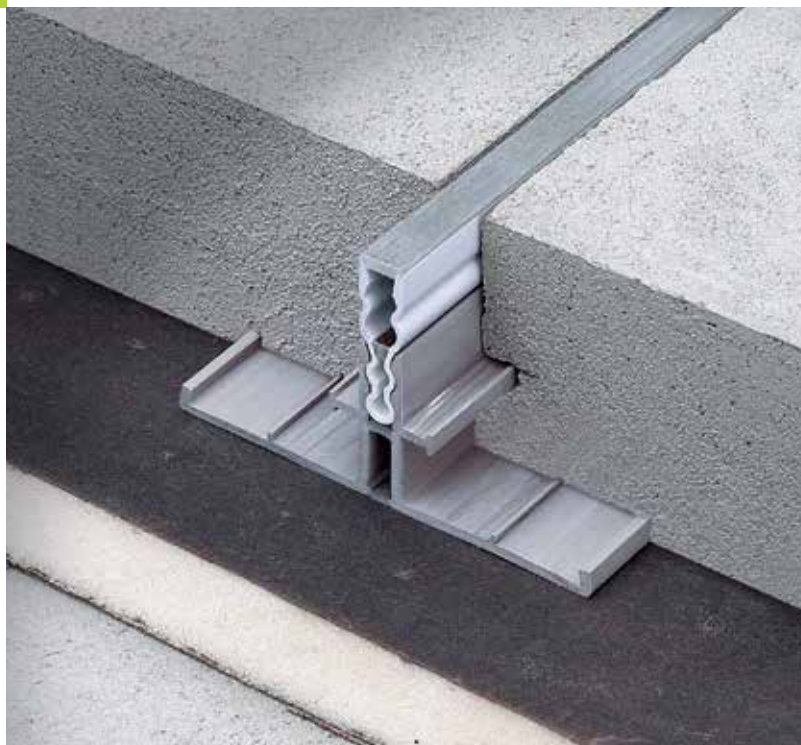
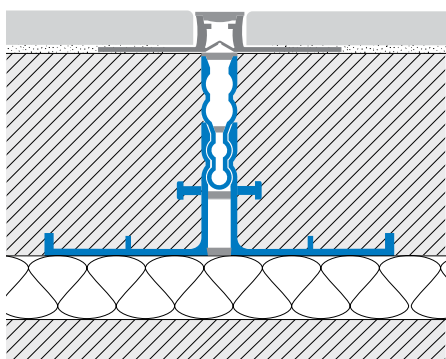


coflex CMB

COFLEX CMB is a modular, mortar bed expansion joint: a co-extruded wide-flanged base profile which is interlocked with **COFLEX CM** modular clips that adapt the profile to almost any height. The profile is conceived to subdivide the mortar bed into bays according to the underlying slab. As the wide flanges securely position the profile, it can also be used as formwork.



The co-extruded base profile is composed of two synthetic resins. The base flanges are in made of rigid Resil while the central joints are in a softer Resinflex. The system can be easily adapted to almost any height by interlocking the modular **COFLEX CM** clips: minimum height of 1-3/16" (30mm), with vertical clicks at 9/16" - 3/16" (15 - 20mm) intervals. The **COFLEX CMB** modular, mortar bed expansion joint should be used with an additional expansion joint at the tile floor level, such as a **COFLEX CA** profile, to allow differential movement and prevent tile cracking and tenting.



COFLEX CMB-P23 Co-extruded Modular Synthetic Resin

This synthetic resin profile is highly flexible, durable and resistant to mildew, bacteria, weathering, corrosion, wear and UV rays. Suitable for indoor and outdoor applications; the profile section provides limited protection to the tile edge.

Base profiles, **COFLEX CM** modules and extensions are also sold separately. For further details see page 153.

	H = in	mm	Art.		
Material:	1-3/16	30	CMB	300	P Open base
Resinflex + Resinil	1-3/16	30	CMB	300	P23 Close base
Color:	1-25/32	45	CMB	450	P23 Base+Module+CM
Cement grey (P23)	2-3/8	60	CMB	600	P23 Base+exten.+CM
Length: 8'10" (2.70meters)					

