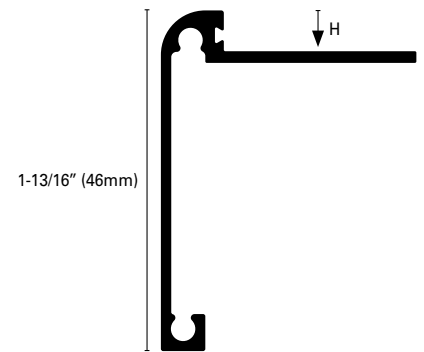


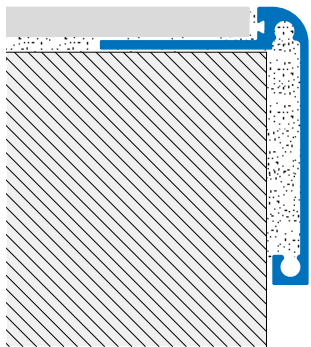


PLANOTEC BP extruded silver anodized profiles present a technical contour for tiled kitchen countertops. The molded profile section trims and protects the tile edge while covering the entire thickness of the countertop. This profile fulfills both technical and aesthetic expectations. External aluminum corner joints available.



(BP 45*)

planotec BP



PLANOTEC BP-AS Silver Anodized Aluminum

This profile has a silver coating (AS) which offers adequate resistance to use and wear.

PLANOTEC BPE-AS Silver Anodized Aluminum

This universal aluminum external corner joint and end piece can be cut to size as necessary.

	H = in mm		Art.		
Material:	3/16	4.5	BP	45	AS
Extruded Anodized Aluminum	3/8	10	BP	100	AS
Finish: Silver (AS)	1/2	12.5	BP	125	AS
Length: 8'10" (2.70meters)					
☒ "thin" line					

	H = in mm		Art.	
Material:	1-13/16	46	BPE	AS
Extruded Anodized Aluminum				
Finish: Silver (AS)				