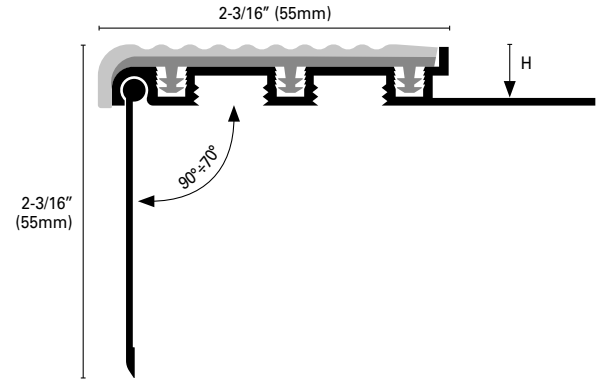




# stairtec FSL

The **STAIRTEC FSL** series with a non-slip thermoplastic rubber insert proposes a practical, durable and technical solution particularly applicable in public buildings with high traffic areas. The optional, patented "riser cover" conceals the riser edge.



**STAIRTEC FSL-A\* Aluminum with 2-3/16" (55mm) Thermoplastic Rubber Insert**  
 Aluminum base profile with a replaceable non-slip thermoplastic rubber insert. End caps FSLT are available for all three profile heights. Replacement non-slip thermoplastic rubber insert: Code FSLI 55 P\*.

	H = in	mm	Art.		Insert Colors	
Material:	5/16	8	FSL	80	A*	23/32/51
Extruded Natural Aluminum	3/8	10	FSL	100	A*	23/32/51
Synthetic Insert	1/2	12.5	FSL	125	A*	23/32/51
Length: 8'10" (2.70meters)						
Width: 2-3/16" (55mm)						
Colors*: Grey (23), Beige (32), Black (51)						

**STAIRTEC FSA 50 AS Silver Anodized Aluminum**  
 The optional riser in anodized aluminum used with the FSL nosing profile improves edge visibility and conceals the riser edge.

Material:	2	50	FSA	50	AS	-
Extruded Anodized Aluminum						
Length: 8'10" (2.70meters)						
Height: 2" (50mm)						
Finish: Silver (AS)						

**STAIRTEC FSLT Endcaps**  
 Used to cover the profile ends.

Material:	5/16	8	FSLT	80	P*	23/32/51
Polypropylene	3/8	10	FSLT	100	P*	23/32/51
Colors*: Grey (23), Beige (32), Black (51)	1/2	12.5	FSLT	125	P*	23/32/51