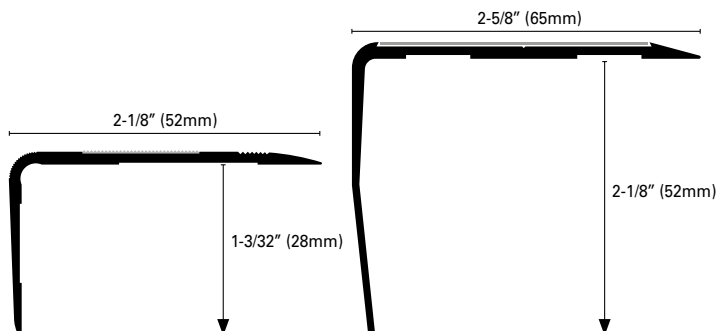


stairtec SA

STAIRTEC SA is an anodized aluminum profile with a non-slip mineral grain strip that ensures high safety standards. This profile is an excellent choice for pre-existing stairs in commercial and industrial renovations. The carved internal cavity soundly adheres to pre-laid stairs, perfect for retrofitting damaged stairs and concealing edge imperfections. **STAIRTEC SA** profiles can be installed with adhesive or flathead screws subsequently covered with the mineral grain strip.



STAIRTEC SA 52 A*N Extruded Anodized Aluminum

This profile is suitable for both indoor and outdoor applications with good resistance to oxidation. Available in three finishes: silver (AS), gold (AO), bronze (ABN). The silver version is recommended for high traffic areas. The non-slip 3/4" (19mm) mineral grain strip must be ordered separately. Available in black (C51) and glow-in-the-dark (CF).

	BxH = in	mm	Art.		
Material:	2-1/8x1-3/16	52x30	SA	52	ASN
Extruded Anodized Aluminum	2-1/8x1-3/16	52x30	SA	52	AON
Finish*: Silver (ASN), Gold (AON), Bronze (ABN)	2-1/8x1-3/16	52x30	SA	52	ABN
Length: 8'10" (2.70meters)					

	in	mm x m	Art.		
Anti-slip strip black	3/4x23/32	19x18.3	SWH	19	C51
Anti-slip strip fotoluminescente	3/4x23/32	19x18.3	SWH	19	CF

STAIRTEC SA 65 ASN Extruded Silver Anodized Aluminum

This profile has a silver coating suitable for both indoor and outdoor applications with good resistance to oxidation. The non-slip 2" (50mm) mineral grain strip must be ordered separately. Available in black (C51).

	BxH = in	mm	Art.		
Material:	2-5/8x2-3/16	65x55	SA	65	ASN
Extruded Anodized Aluminum					
Finish: Silver (ASN)					
Length: 8'10" (2.70meters)					

	in	mm x m	Art.		
Anti-slip strip black	2"x23/32"	50x18.3	SWH	50	C51