

SYSTEM DESCRIPTION

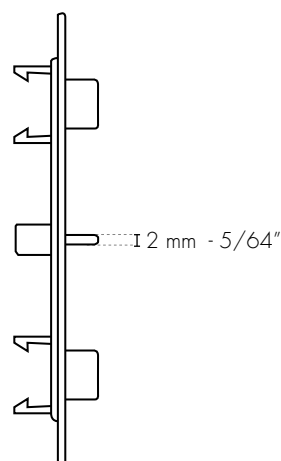
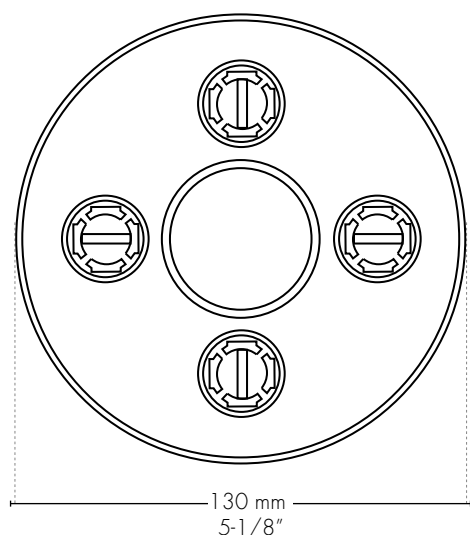
Uptec is a patented system composed of only 3 basic elements, designed to create raised outdoor floors. These are height-adjustable polypropylene supports, with tilting head to compensate slope difference up to 5%. By simply blocking the locking ring on the head, you can switch from the self-leveling system to the fixed one. The accessory applied above is made of rubber to ensure an anti-noise and anti-slip system.

SUPA2 PRODUCT DESCRIPTION



The Uptec SUPA2 accessory, designed to create 2 mm (5/64") joints, is made of two-component material: polypropylene for the fins and rubber to ensure an anti-noise and anti-slip characteristic. The tabs can be removed using the SUPAK key depending on the floor configuration.

SUPA2 TECHNICAL DRAWINGS



SUPA2 CODE

Models	Height (mm)	Height (in)	Description	Pz/cf	Packaging	Weight	cf/pallet
SUPA2	2	5/64"	Tabs for 2mm - 5/64" joint	240 pz			

PEDESTAL + SUPA2 (KIT) CODE

Models	Height (mm)	Height (in)	Description	Pz/cf	Packaging	Weight	cf/pallet
SUPAL2-28/43	28÷43	1-3/32" - 1-11/16	KIT: pedestal + tabs for 2mm - 5/64" joint	24 pz			
SUPAS2-43/58	43÷58	1-11/16 - 2-9/32	KIT: pedestal + tabs for 2mm - 5/64" joint	24 pz			
SUPAS2-58/88	58÷88	2-9/32" - 3-15/32"	KIT: pedestal + tabs for 2mm - 5/64" joint	24 pz			
SUPAS2-88/118	88÷118	3-15/32" - 4-41/64"	KIT: pedestal + tabs for 2mm - 5/64" joint	24 pz			
SUPAS2-118/148	118÷148	4-41/64" - 5-53/64"	KIT: pedestal + tabs for 2mm - 5/64" joint	24 pz			

DIFFERENT INSTALLATIONS WITH SUPA2



Installation with ceramic tile

SYSTEM DESCRIPTION

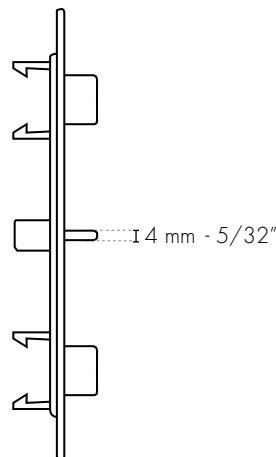
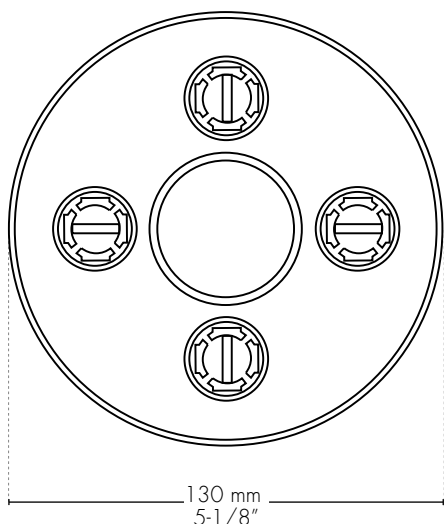
Uptec is a patented system composed of only 3 basic elements, designed to create raised outdoor floors. These are height-adjustable polypropylene supports, with tilting head to compensate slope difference up to 5%. By simply blocking the locking ring on the head, you can switch from the self-leveling system to the fixed one. The accessory applied above is made of rubber to ensure an anti-noise and anti-slip system.

SUPA4 PRODUCT DESCRIPTION



The Uptec SUPA4 accessory, designed to create 4 mm (5/32") joints, is made of two-component material: polypropylene for the fins and rubber to ensure an anti-noise and anti-slip feature. The tabs can be removed using the SUPAK key depending on the floor configuration.

SUPA4 TECHNICAL DRAWINGS



SUPA4 CODE

Models	Height (mm)	Height (in)	Description	Pz/cf	Packaging	Weight	cf/pallet
SUPA4	4	5/32"	Tabs for 4mm - 5/32" joint	240 pz			

PEDESTAL + SUPA4 (KIT) CODE

Models	Height (mm)	Height (in)	Description	Pz/cf	Packaging	Weight	cf/pallet
SUPAL4-28/43	28÷43	28÷43	KIT: pedestal + tabs for 4mm - 5/32" joint	24 pz			
SUPAS4-43/58	43÷58	43÷58	KIT: pedestal + tabs for 4mm - 5/32" joint	24 pz			
SUPAS4-58/88	58÷88	58÷88	KIT: pedestal + tabs for 4mm - 5/32" joint	24 pz			
SUPAS4-88/118	88÷118	88÷118	KIT: pedestal + tabs for 4mm - 5/32" joint	24 pz			
SUPAS4-118/148	118÷148	118÷148	KIT: pedestal + tabs for 4mm - 5/32" joint	24 pz			

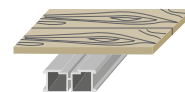
DIFFERENT INSTALLATIONS WITH SUPA4



Installation with ceramic
tile



tile installation on aluminum joist



deck installation on
aluminum joist

SYSTEM DESCRIPTION

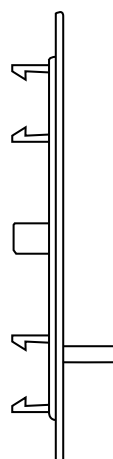
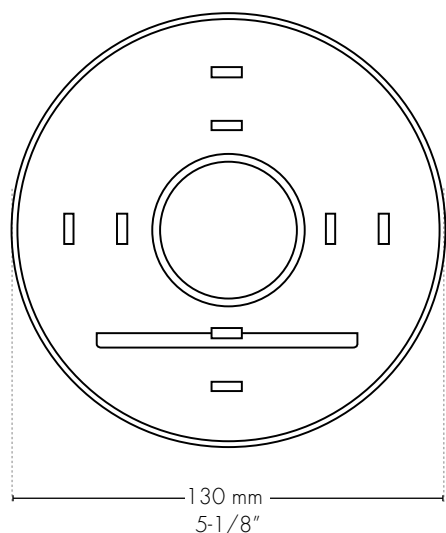
Uptec is a patented system composed of only 3 basic elements, designed to create raised outdoor floors. These are height-adjustable polypropylene supports, with tilting head to compensate slope difference up to 5%. By simply blocking the locking ring on the head, you can switch from the self-leveling system to the fixed one. The accessory applied above is made of rubber to ensure an anti-noise and anti-slip system.

SUPAW PRODUCT DESCRIPTION



The SUPAW head is ideal for laying wood on wood joist. The special slots along the tab allow for quick fastening to the joist using appropriate screws. The hooks placed under the base of the tab allow for easy attachment to the support and eventual removal from the same.

SUPAW TECHNICAL DRAWINGS



SUPAW CODE

Models	Height (mm)	Height (in)	Description	Pz/cf	Packaging	Weight	cf/pallet
SUPAW	4	5/32"	Tabs for wood joist	240 pz			

DIFFERENT INSTALLATIONS WITH SUPAW



Installation on wood joist