

Joints BBSG/BCSG

PRODUCT DESCRIPTION

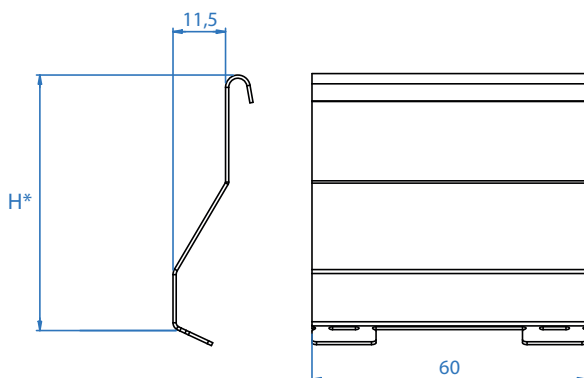


Bordertec joints for painted aluminum BBS and BCS models are more adjustable to installation.

Thanks to the new design, they can be installed even after the profiles are in place, allowing for greater flexibility in installation time and accuracy.

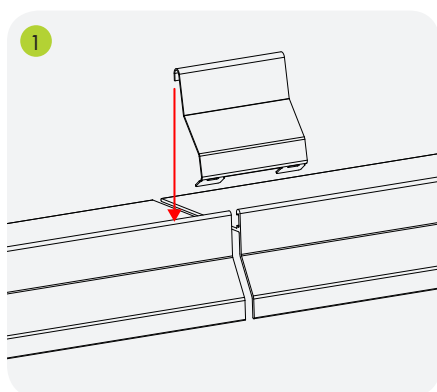
Once the Bordertec profiles are installed, hook the joints between the profiles. Fix them to the bottom edge of the borders by folding in the fastening tabs.

TECHNICAL DRAWINGS

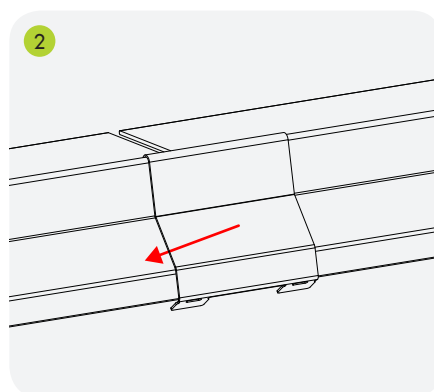


Art.	H* = mm
BBSG/BCSG 42	42
BBSG/BCSG 55	55
BBSG/BCSG 75	75
BBSG/BCSG 95	95

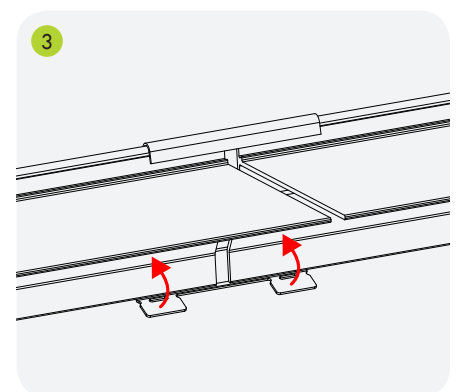
INSTALLATION INSTRUCTIONS



1 Place the upper side of the joint on the outer edge of the two profiles placed side by side.



2 Overlap the joint with the profiles to hide the gap between them.



3 Fold the two tabs on the lower edge of the joint to fix it.

TECHNICAL FEATURES - BBSG/BCSG

Art.	H=42mm	H=55mm	H=75mm	H=95mm	pz
BBSG/BCSG 42	•	–	–	–	10
BBSG/BCSG 55	–	•	–	–	10
BBSG/BCSG 75	–	–	•	–	10
BBSG/BCSG 95	–	–	–	•	10

The updated junction will bear the inscription "NEW DESIGN" and will progressively replace the previous model, which is still valid and functional.

AVAILABLE FINISHES



IL

Polished Stainless Steel



A11

Pure White



A24

Embossed Pastel Grey



A22

Pastel Grey



A25

Embossed Cement Grey



A32

Dark Beige



A50

Embossed Micaceous



A62

Red Brown



A60

Embossed Corten



A63

Dark Brown



A64

Embossed Dark Brown

Profilitec S.p.A.
Via Scotte, 3 - 36033 Isola Vicentina (Vicenza), ITALY
Tel: +39 0444 268311
e-mail: profilitec@profilitec.com (ITA)

Profilitec Corp.
472 Meeting Street, Suite C, No. 301 -
Charleston, SC 29403, USA
Ph: +1 855 290 9591
e-mail: customerservice@profilitec.com

 **profilitec**
positive profile