

BST20

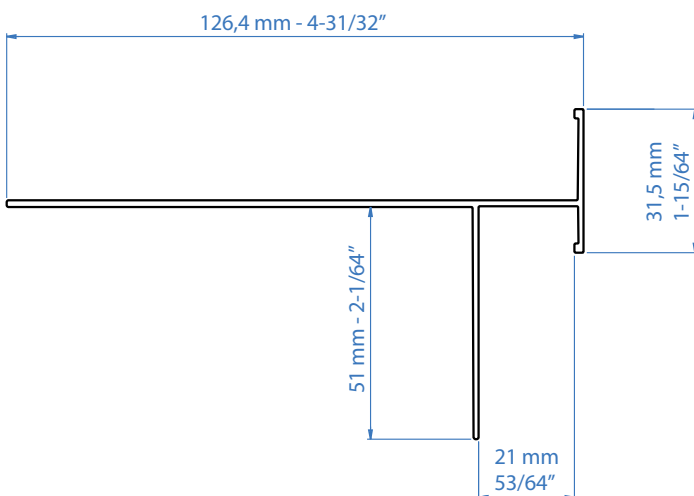
PRODUCT DESCRIPTION



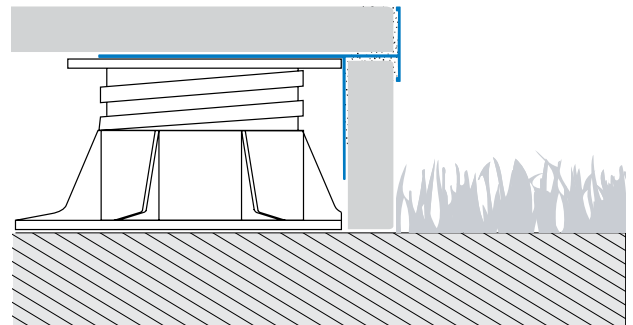
Bordertec BST20 is a painted aluminum profile designed to offer an additional solution for delimiting the vertical perimeter edges of a raised floor.

Bordertec BST20 has been designed to obtain the minimum edge visible from above and the maximum aesthetic result of the terrace closure. The profile also covers any imperfections in the edge of the vertical tile.

TECHNICAL DRAWING



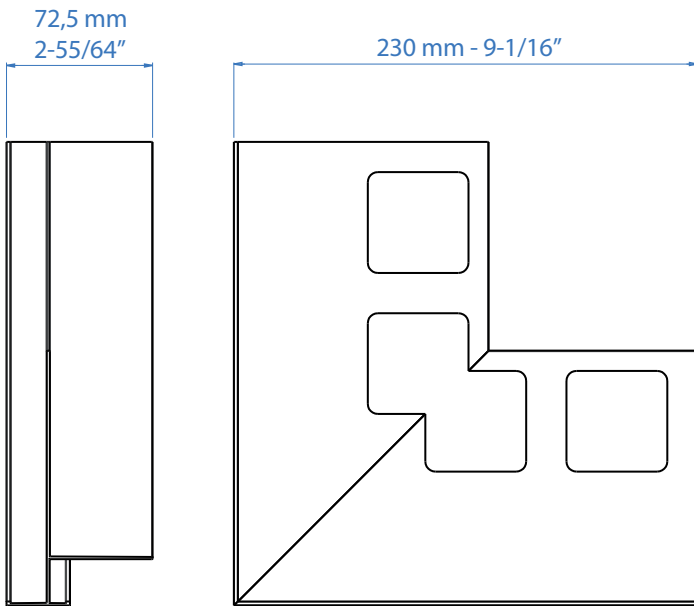
Length: 2,70 m - 8'10"



APPLICATION

1. Cut the bases of the Uptec support to ensure proper mounting of the vertical end tiles.
2. Cut the BST20 profile to the desired length (if necessary).
3. Place the profile on the Uptec supports.
4. Place the floor on the wide base of the BST20 profile already laid on the support.
5. Place the end tiles in the vertical groove of the profile.
6. Bordertec BST20 can also be used together with the edge-base clip (SUPACLPB) or glued to the vertical end tile using the holes provided.

ACCESSORIES



BSTE 20
Portion of corner without holes.

TECHNICAL FEATURES - BST20

Art.	H=20mm - 3/4"	pc	A24	A33	A50
BST 20	•	5	•	•	•
BSTE 20	•	10	•	•	•

A24 = Embossed Pastel Grey

A33 = Embossed Dove Grey

A50 = Embossed Micaceous



CLEANING AND MAINTENANCE

It requires no special maintenance. You can use household cleaning products.

WARNINGS

Do not use on suspended balconies and terraces.

Profilitec S.p.A.
Via Scotte, 3 - 36033 Isola Vicentina (Vicenza), ITALY
Tel: +39 0444 268311
e-mail: profilitec@profilitec.com (ITA)

Profilitec Corp.
472 Meeting Street, Suite C, No. 301 -
Charleston, SC 29403, USA
Ph: +1 855 290 9591
e-mail: customerservice@profilitec.com

 **profilitec**
positive profile