

COVE PROFILES DESCRIPTION

Aluminum or stainless steel cove profiles are the ideal products for countertop, backsplash, wall/floor transitions

RT

PRODUCT DESCRIPTION



RT 100 AGRS

Sanitec RT is an aluminum cove-shaped profile with a single anchoring leg that is applied before the installation of the floor and wall covering, making it perfectly integrated into the surfaces.

It is ideal for spaces where frequent cleaning is required, offering the ideal hygienic solution.

It can be used for 5/16" (8mm), 3/8" (10mm), 1/2" (12.5mm) thick tiles.

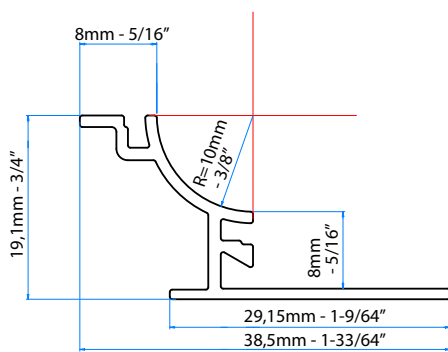
Sanitec RT is available in anodized aluminum with different finishes to match the latest ceramic trends.

The profile comes with the following accessories: internal corners, external corners and end caps.

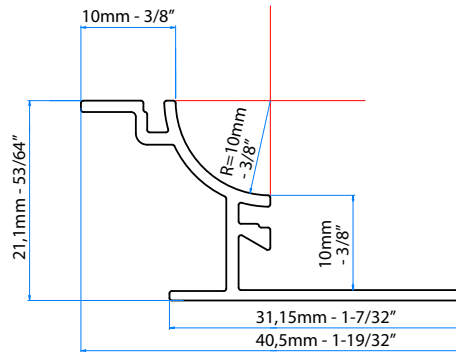
It is recommended to assemble the profile with the accessories before wall and floor installation.

TECHNICAL DRAWINGS

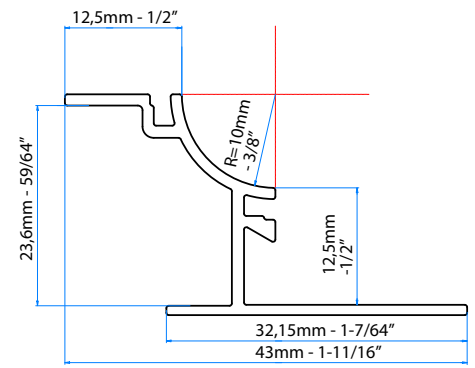
RT 80 A



RT 100 A

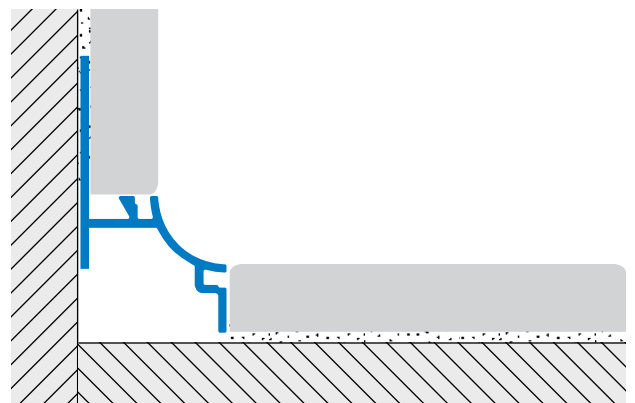
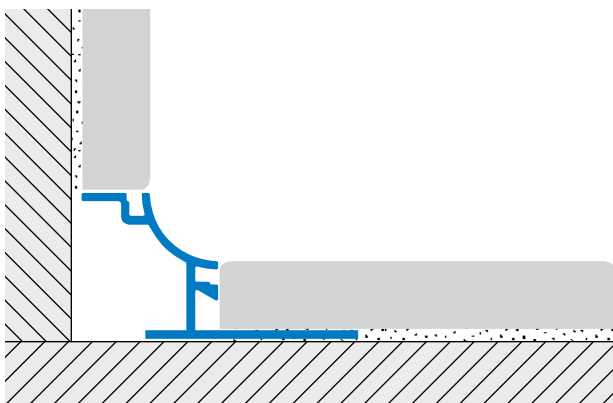


RT 125 A

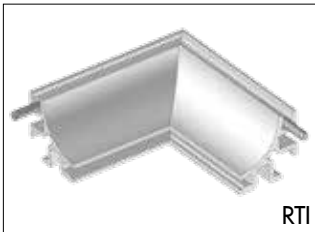
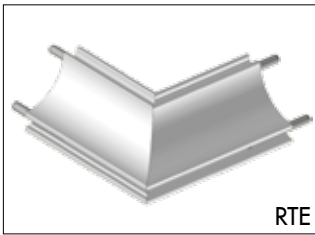


Length: 2,70 m - 8'10"

INSTALLATION EXAMPLE



RT ACCESSORIES



TECHNICAL FEATURES - RT

Art.	H=8mm - 5/16"	H=10mm - 3/8"	H=12,5mm - 1/2"	pz	AS	AGRS	ATSB
RT 80	•	–	–	30	•	•	•
RT 100	–	•	–	30	•	•	•
RT 125	–	–	•	30	•	•	•
RTE	•	•	•	1	•	•	•
RTI	•	•	•	1	•	•	•
SBF 10	•	•	•	2	•	•	•

AS = Silver Anodized Aluminum

AGRS = Anodized Aluminum Brushed Graphite

ATSB = Anodized Aluminum Bright Polished Brushed Titanium

CLEANING AND MAINTENANCE

The sanitec RT profile requires no special maintenance. Clean with a soft cloth or neutral detergent. Do not use alkaline substances or abrasive cleaners that could damage the aluminum.

Profilitec S.p.A.
Via Scotte, 3 - 36033 Isola Vicentina (Vicenza), ITALY
Tel: +39 0444 268311
e-mail: profilitec@profilitec.com (ITA)

Profilitec Corp.
472 Meeting Street, Suite C, No. 301 -
Charleston, SC 29403, USA
Ph: +1 855 290 9591
e-mail: customerservice@profilitec.com

 **profilitec**
positive profile