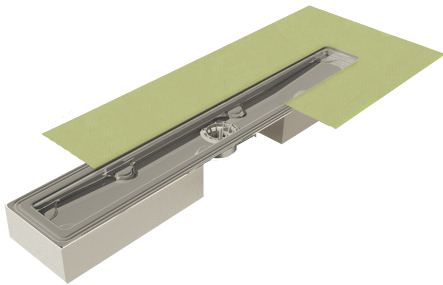


SYSTEM DESCRIPTION

Showertec Linear is a range of linear channels, 100% made in Italy, for floor-level, barrier-free showers. The channel is made of three elements: **Body** (channel body), **Cover** (removable and adjustable grids), and **Frame** (optional). This feature boosts aesthetic combinations, as Cover and Frame are two separate elements, which can be combined. To complete the system, you'll find the **Tray that is pre-sloped (2% slope)**, available in several sizes. Ready to be tiled.

SHOWERTEC LINEAR - STL-BC / STL-BO

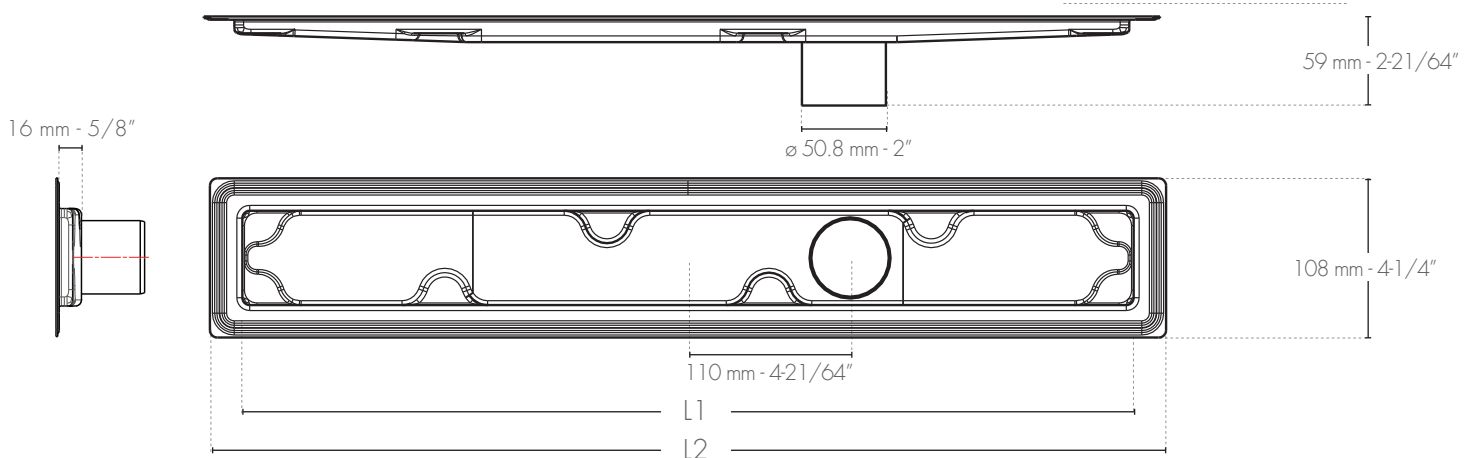
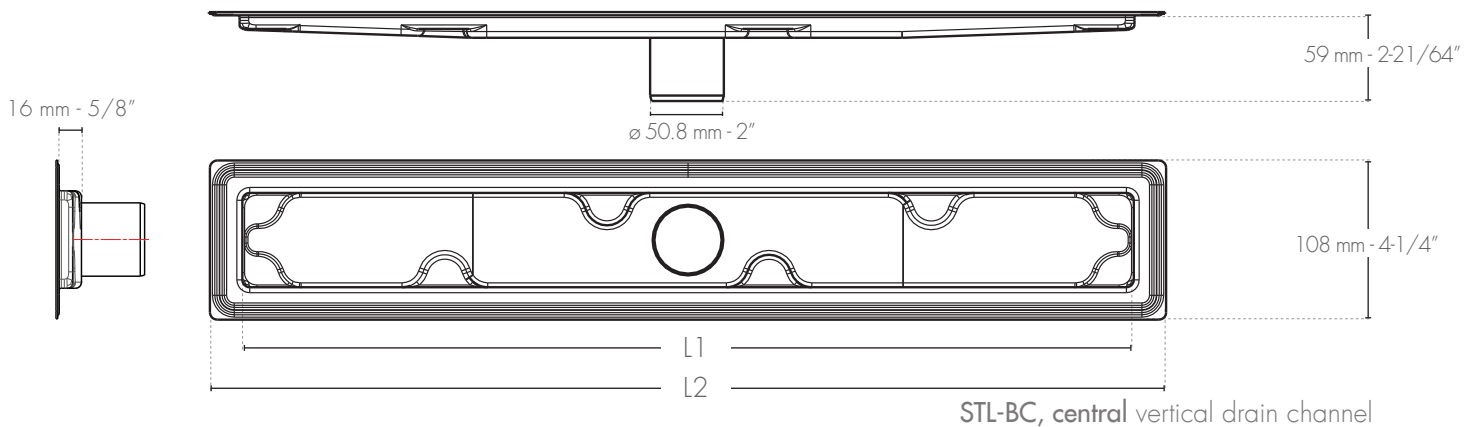
PRODUCT DESCRIPTION



The channel bodies **STL-BC** and **STL-BO** are vertical drain channels in **AISI 316 stainless steel**. **STL-BC** has a central vertical drain. **STL-BO**, on the other hand, has an off-center vertical drain. They are supplied with **pre-attached Foiltec membrane**, to guarantee perfect waterproofing.

The bottom of the channel presents support areas for the cover's pedestals: their position is conceived to increase the resistance to the Cover's loads without reducing the system's drain capacity. An **hair trap** is positioned above the drain to **prevent annoying clogging**.

TECHNICAL DRAWINGS STL-BC / STL-BO



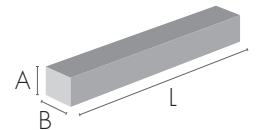
Article	L1 (mm)	L1 (in)	L2 (mm)	L2 (in)
STL-BO/BC 600	605	23-13/16	649	25-35/64
STL-BO/BC 700	705	27-3/4	749	29-31/64
STL-BO/BC 800	805	31-1/16	849	33-27/64
STL-BO/BC 900	905	35-5/8	949	37-23/64
STL-BO/BC 1000	1005	39-9/16	1049	41-19/64
STL-BO/BC 1200	1205	47-7/16	1249	49-11/64

TECHNICAL FEATURES - STL-BC / STL-BO

STL-BC / STL-BO CODE

Article	Length (mm - in)	Description	pc■	AxBxL (mm)	AxBxL (inches)
STL-BC 600	600 - 23-5/8"	Channel Body with central vertical drain	1 pc	135x135x800	5-5/16x5-5/16x31-1/2
STL-BC 700	700 - 27-9/16"	Channel Body with central vertical drain	1 pc	135x135x800	5-5/16x5-5/16x31-1/2
STL-BC 800	800 - 31-1/2"	Channel Body with central vertical drain	1 pc	135x135x1100	5-5/16x5-5/16x43-5/16
STL-BC 900	900 - 35-7/16"	Channel Body with central vertical drain	1 pc	135x135x1100	5-5/16x5-5/16x43-5/16
STL-BC 1000	1000 - 39-3/8"	Channel Body with central vertical drain	1 pc	135x135x1100	5-5/16x5-5/16x43-5/16
STL-BC 1200	1200 - 47-1/4"	Channel Body with central vertical drain	1 pc	135x135x1300	5-5/16x5-5/16x51-3/16

Article	Length (mm)	Description	pc■	AxBxL (mm)	AxBxL (inches)
STL-BO 600	600 - 23-5/8"	Channel Body with off-center vertical drain	1 pc	135x135x800	5-5/16x5-5/16x31-1/2
STL-BO 700	700 - 27-9/16"	Channel Body with off-center vertical drain	1 pc	135x135x800	5-5/16x5-5/16x31-1/2
STL-BO 800	800 - 31-1/2"	Channel Body with off-center vertical drain	1 pc	135x135x1100	5-5/16x5-5/16x43-5/16
STL-BO 900	900 - 35-7/16"	Channel Body with off-center vertical drain	1 pc	135x135x1100	5-5/16x5-5/16x43-5/16
STL-BO 1000	1000 - 39-3/8"	Channel Body with off-center vertical drain	1 pc	135x135x1100	5-5/16x5-5/16x43-5/16
STL-BO 1200	1200 - 47-1/4"	Channel Body with off-center vertical drain	1 pc	135x135x1300	5-5/16x5-5/16x51-3/16



TECHNICAL FEATURES

- Flow 0.6 l/s or 36 l/m (0.16 gal/s or 9.5 gal/m) **according to standard EN1253**
- Channel with **pre attached membrane Foiltec** certified DIN18534 with **perm rate < 0,5**
- Channel bottom with **2% average slope**

CHANNEL BODY FEATURES AND ADVANTAGES



The channels are made in **AISI 316 stainless steel**, suitable for environments requiring **high-performance** materials.



The **pre-attached Foiltec** membrane guarantees perfect **waterproofing** of the system.

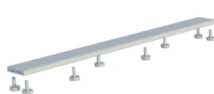


Removable hair trap to prevent clogging caused by hair or debris.

ACCESSORIES

GRIDS, FRAMES AND TRAYS

COVER



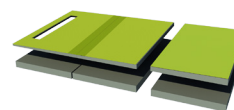
- Tileable grid
- Invisible grid
- 16 finishes

FRAME



- Wall frame
- 13 finishes in Steel and Alu+

TRAY



- Sloped trays
- Extensions
- Ramp

Profilitec S.p.A.
Via Scotte, 3 - 36033 Isola Vicentina (Vicenza), ITALY
Tel: +39 0444 268311
e-mail: profilitec@profilitec.com (ITA)

Profilitec Corp.
472 Meeting Street, Suite C, No. 301 -
Charleston, SC 29403, USA
Ph: +1 855 290 9591
e-mail: customerservice@profilitec.com