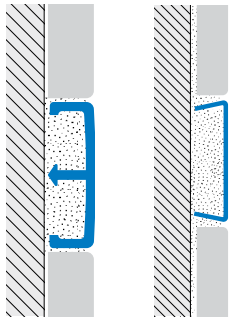
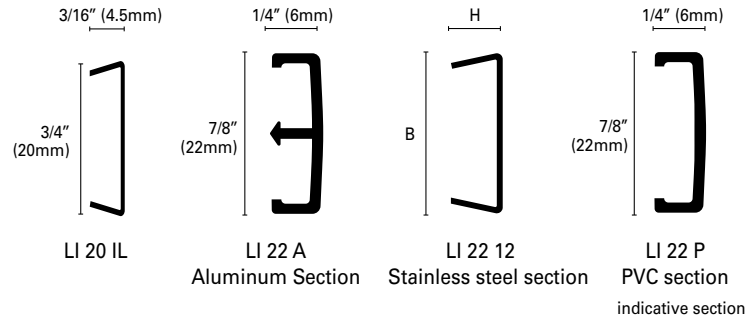




listec™ LI 20-LI 22

LISTEC LI decorative inserts are available in a wide range of chromatic variations, allowing the designer to coordinate or contrast tile colors. The 6mm profile is directly inserted into the tile grout to create horizontal decorative lines along the wall covering. The profile can adapt to most tile thicknesses and matches **ROUNDJOLLY** and **KERAJOLLY** vertical profile colors.



LISTEC LI 20-22 I* Stainless Steel AISI 304 - DIN 1.4301

This is stainless steel decorative insert is both aesthetic and durable. Available in polished (IL) or brushed (IS) stainless steel.

	HxB = in	mm	Art.		
Material:	3/16x3/4	4.5x20	LI	20	IL/IS
Stainless steel AISI 304	9/32x7/8	7x22	LI	22	IL/IS
Finish: Polished (IL), Brushed(IS)					
Length: 8'10" (2.70meters)					

LISTEC LI 22 A* Silver Anodized Aluminum

This profile has a silver coating (AS) which offers adequate resistance to use and wear. The matte surface finish of this profile is modern and affordable. Also available in bright polished chrome (KJ**ASB) and gold (KJ**AOB), is highly resistant to oxidation and especially suited for matching polished bathroom accessories.

Material:	1/4x7/8	6x22	LI	22	AS/ASB/AOB
Extruded Anodized Aluminum					
Finish: Silver (AS), Bright polished chrome (ASB), Bright polished gold (AOB)					
Length: 8'10" (2.70meters)					

LISTEC LI 22 P51 Solid Extruded Synthetic Resin

Extruded as solid synthetic resin, the color is fully embedded in the body of the profile is suitable in diverse design settings. The profile is scratch resistant, tolerant to mechanical impact and most domestic cleaning products.

Material: Resintop	1/4x7/8	6x22	LI	22	P51
Color: Black					
Length: 8'10" (2.70meters)					